

Nanodyne Replacement Illuminator for Zeiss AXIO Vert.A1 Microscope Installation Instructions: Included Items

Additional Items Included But Not Shown:

- PN 10490 Hex Key 5/64 inch for set screw
- PN 10747 Hex Key 3mm

PN 11771 T2PI Main Assy R3
Side Adjust without lens

***Note: This assembly is without lens.**

PN 10467 Set Screw 8-32 x 0.25 brass tip

PN 11657 Set Screw
Brass Tip 8-32 x 0.125

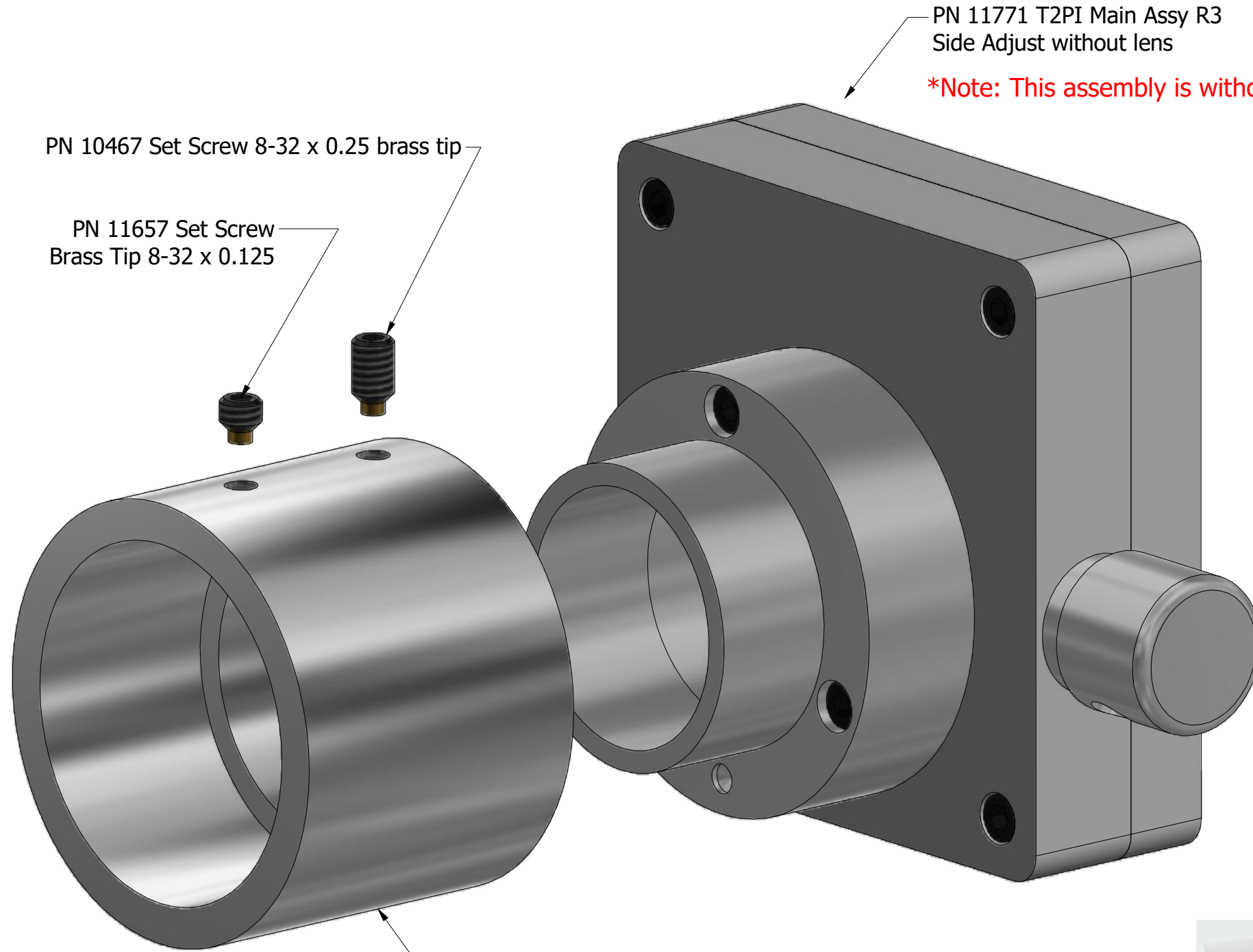


PN 10736 Rubber plug to block unused AC power receptacle.



PN 10733 Power Supply and PN 10734 Cable Assy 1.35mm ID x 3.5mm OD RA plug to USB A 6 foot

The illuminator may be powered by plugging the cable into the power supply provided, or into a suitable USB port on a computer or other device.



PN 11770 Zeiss AXIO Vert.A1 illuminator Coupler



Tape to secure wires.

Power supplies are subject to substitution without notice due to availability issues and changes in regulations.

Han-Seung Yang	6/19/2020
PN 11773 Zeiss AXIO Vert.A1 illuminator System Installation Instructions	REV 1
SHEET 1 OF 4	

Nanodyne Replacement Illuminator for Zeiss AXIO Vert.A1 Microscope Installation Instructions - Step 1. Remove OEM lamp house and original screws/nuts.



This photo shows the microscope this illuminator system was designed for.

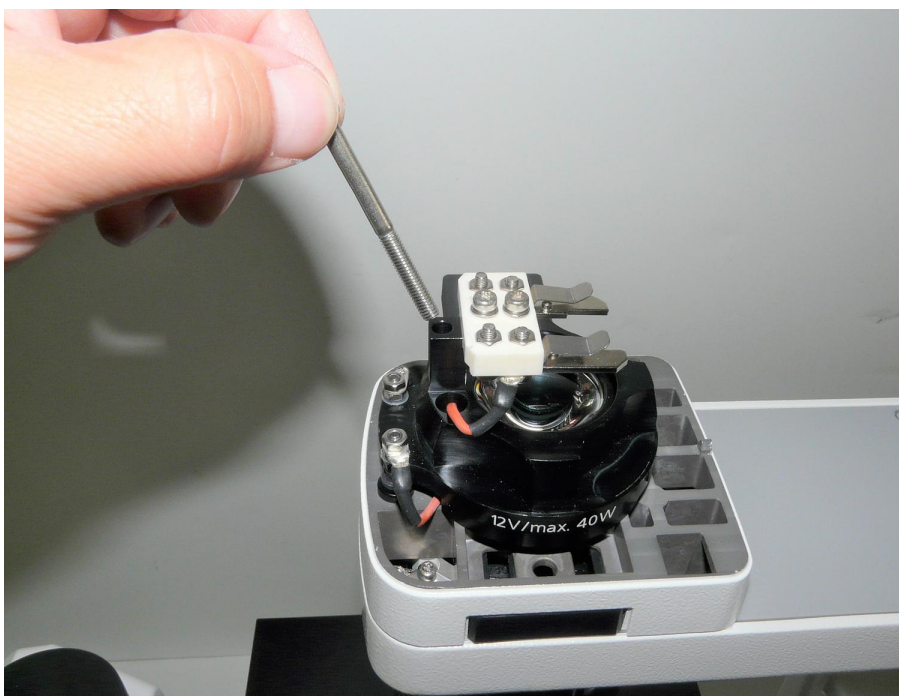


(1) Remove the OEM lamp house from the microscope.

Be sure the AC power is disconnected.



(2) Unscrew the OEM screw using 3mm hex key provided.



(3) Remove the OEM screw holds original lamp assembly.



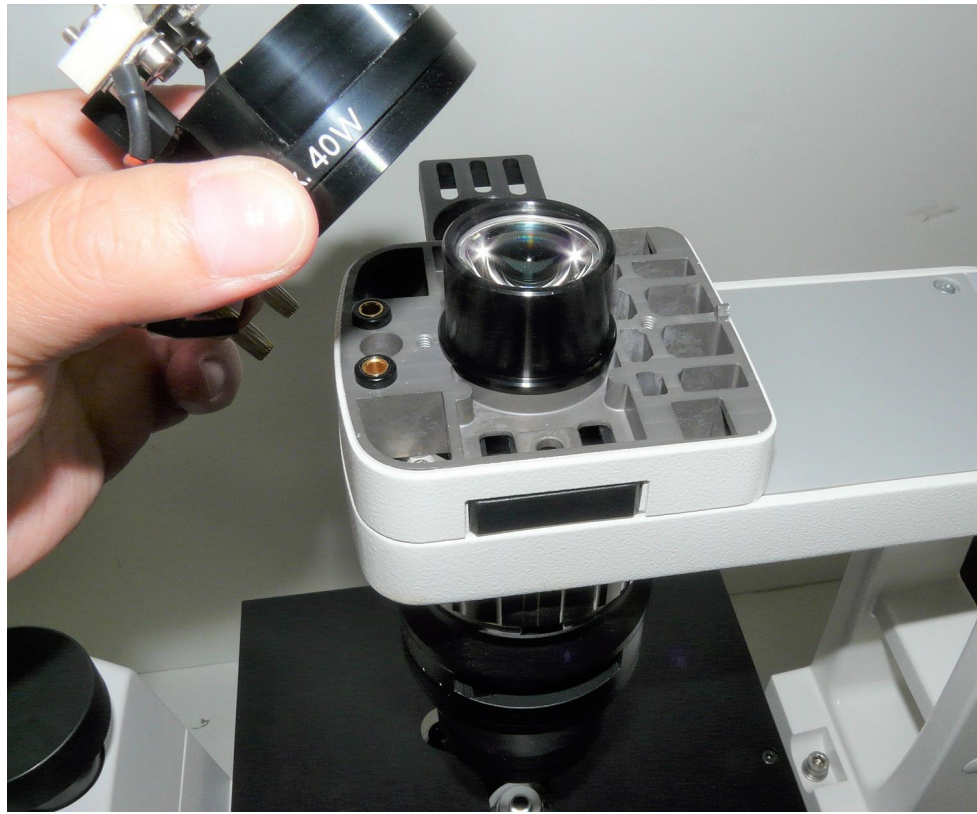
(4) Remove the nut holds original wires.



(5) Now ready to remove the original lamp assembly.

Han-Seung Yang	6/19/2020
PN 11773 Zeiss AXIO Vert.A1 illuminator System Installation Instructions	REV 1

Nanodyne Replacement Illuminator for Zeiss AXIO Vert.A1 Microscope Installation Instructions - Step 2. Remove old lamp assembly and install Nanodyne illuminator.



(1) Remove the original lamp assembly.



(2) Insert Nanodyne coupler to the condenser lens assembly.



(3) Tighten the set screw using 5/64 in hex key provided.



(4) Insert Nanodyne illuminator to the coupler.



(5) Tighten the set screw using 5/64 in hex key provided.

Han-Seung Yang	6/19/2020
PN 11773 Zeiss AXIO Vert.A1 illuminator System Installation Instructions	REV 1

Nanodyne Replacement Illuminator for Zeiss AXIO Vert.A1 Microscope Installation Instructions - Step 3. Plug in power supply and route the power cable.



(1) Nanodyne illuminator installed.



(2) Plug in the power cable to the Nanodyne illuminator.



(3) Installation completed.



(4) Insert the rubber plug provided to the now obsolete AC power receptacle.



(5) Route the power cable accordingly and now the microscope is ready to operate.

Han-Seung Yang	6/19/2020
PN 11773 Zeiss AXIO Vert.A1 illuminator System Installation Instructions	REV 1