



FRONTIER™ 5706P

Multi Centrifuges



Reliable and Compact Multi-Function Low-Speed Centrifuge for General Purpose

Frontier 5706P Multi Centrifuge is a small benchtop multi-function centrifuge ideal for a multitude of separation applications. With versatile standard rotor options, the FC5706P seamlessly processes both round and conical bottom tubes, including common blood and urine tubes. Enhanced by user-friendly design, this centrifuge features an intuitive interface that streamlines operation and maximizes efficiency, all while conserving valuable bench space.

Features:

- Designed for ease of operation, Frontier 5706 Multi Centrifuge features convenient control on an intuitive interface, which allows for responsive operation – even when wearing gloves.
- Enhanced adaptability to satisfy different customers' requirements in general laboratory applications. The FC5706P can hold up a variety of different tubes, starting from 50 ml to smaller volume 1.5 ml tubes. The Frontier 5706P offers 5 rotor options including a fixed angle rotor suitable for 18×1.5/2.0 ml tubes and a swing-out rotor that can hold 4×10 ml blood and urine tubes, boosting its versatility for various laboratory needs.
- Enclosing all its functionalities within a small footprint, the FC5706P saves valuable space on the lab bench.

FRONTIER™ 5706P Multi Centrifuges

Designed for a User-Friendly Experience

- Easy-to-use touch-wheel interface for parameter adjustments
- Convenient interface shows both set and actual parameters
- One-touch toggling between RPM/RCF and Acc/Dec
- Double-line LCD display with light blue back light
- Audible signal at the end of each run with a melody
- 10 acceleration/deceleration settings
- 99 memory sets to quickly store and recall commonly used parameters



Safety Features Enclosed Within Small Footprint

- Microprocessors control to help prevent accidents and protect both the user and the equipment
- Rotor imbalance sensor system stops the unit when it detects an imbalanced load
- Sturdy mechanical lid with locking system
- LED status to indicate the operational condition of the centrifuge like run completed (green), standby (yellow) or centrifugation (red)



Flexible Rotor Selections and Kits to Cover a Wide Range of General Laboratory and Diagnostic Applications

- Maintenance-free DC motor produces a maximum G-force of $4427 \times g$
- Speeds up to 6000 rpm and quick spin for short runs
- Additional fixed angle rotor ($18 \times 1.5/2.0$ ml microtubes) and swing out rotor (4×10 ml blood tubes) for enhanced flexibility



FRONTIER™ 5706P Multi Centrifuges

Specifications

Model	FC5706P	
Speed Range	200 – 6000 rpm; 10 rpm/set	
Maximum RCF	4427 × g; 10 g/set	
Maximum Capacity (Rotor)	Angle Rotor: 6 × 50 ml	
Temperature range	Air cooled	
Refrigerant	N/A	
Running Time	Quick Spin, 10 sec to 99 hr 59 min, or continuous	
Noise level (depending on the rotor)	≤ 56 ± 2 dB(A)	
Acc/Dec Levels	10/10	
Allowable Density at Maximum Speed	1.2 g/ml	
Allowable Kinetic Energy	2427 Nm	
Rated voltage	100-240 V/50-60 Hz	
Voltage Fluctuation	± 10 %	
Rated current	2.5-1.0 A	
Power continues	70 W	
Dimensions (W×D×H)	323×427×271 mm	
Net Weight (without rotor)	14.2 kg	
Shipping Dimensions (W×D×H)	370×540×365 mm	
Shipping Weight (without rotor)	17.6 kg	
Ambient conditions (EN/IEC 61010-1)	Environment	For indoor use only
	Altitude	Use up to an altitude of 2000 m
	Ambient temperature	5 °C up to 35 °C
	Max. relative humidity	Max. relative humidity 80 % for temperatures up to 31 °C Decreasing linearly to 50 % relative humidity up to 35 °C.
EMC	EN/IEC 61326-1 Class B emissions, Basic immunity FCC Class B emissions	
Not suitable for use in hazardous environments.		

Accessories


	Order No.	30130877
	Description	Rotor Angle 12 × 15 ml RB/FA
	Included in Kit	31012113
	Max. Speed	6000 rpm
	Max. RCF	4427 × g

Accessories

Order No.	Description	Vol./Tube	Diameter	Tube Type	No.of Tubes/ Rotor
Without Adapter	Rotor Angle 12 × 15 ml RB/FA	15 ml	17 mm	Round Bottom/Conical Bottom	12
30211180	Adapter 1 × 6-10 ml D16 mm Vac/Sar, 2 pk	6-10 ml	16 mm	Vacutainer®/Sarsted	12
30130889	Adapter 1 × 4-7 ml D13 mm Vac/Sar, 2 pk	4-7 ml	13 mm	Round Bottom/Vacutainer®/Sarstedt	12
30130890	Adapter 1 × 1.8-5 ml D13 mm Vac/Sar, 2 pk	1.8-5 ml	13 mm	Round Bottom/Vacutainer®/Sarstedt	12
30130886	Adapter 1 × 1.5/2.0 ml D11mm, 6 pk	1.5/2.0 ml	11 mm	Microtube	12

FRONTIER™ 5706P Multi Centrifuges

Accessories

	Order No.	30130878
	Description	Rotor Angle 6 × 50 ml RB/FA
	Included in Kit	31012115
	Max. Speed	6000 rpm
	Max. RCF	4427 × g

Accessories

Order No.	Description	Vol./Tube	Diameter	Tube Type	No.of Tubes/ Rotor
Without Adapter	Rotor Angle 6 × 50 ml RB/FA	50 ml	29 mm	Round Bottom/Conical Bottom	6
30130891	Adapter 1 × 30 ml D26 mm, 2 pk	30 ml	26 mm	Round Bottom	6
30130892	Adapter 1 × 16 ml D18 mm, 2 pk	16 ml	18 mm	Round Bottom	6
30130893	Adapter 1 × 15 ml D17 mm, 2 pk	15 ml	17 mm	Round Bottom	6
30130894	Adapter 1 × 15 ml D17 mm RB/FA, 2 pk	15 ml	17 mm	Round Bottom/Conical Bottom	6

	Order No.	30130880
	Description	Rotor Swing out 6 × 5 ml RB
	Max. Speed	4000 rpm
	Max. RCF	1878 × g

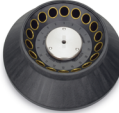
Accessories

Order No.	Description	Vol./Tube	Diameter	Tube Type	No.of Tubes/ Rotor
30130895	Buckets For 30130880, 2 pk*	5 ml	13 mm	Round Bottom/Vacutainer®/Sarstedt	6

	Order No.	31013397
	Description	Rotor Swing Out 4 × 10 ml
	Included in Kit	31012114
	Max. Speed	4200 rpm
	Max. RCF	2406 × g

Accessories

Order No.	Description	Vol./Tube	Diameter	Tube Type	No.of Tubes/ Rotor
31021231	Rack 1 × 1.8-10 ml D16 mm Vac/Sar, 4 pk**	1.8-10 ml	16 mm	Round Bottom/ Vacutainer®/ Sarstedt	4

	Order No.	83041499
	Description	Rotor Angle 18 × 1.5/2.0 ml
	Max. Speed	6000 rpm
	Max. RCF	2938 × g

Accessories

Order No.	Description	Vol./Tube	Diameter	Tube type	No.of tubes / rotor
Without Adapter	Rotor Angle 18 × 1.5/2.0 ml	1.5/2.0 ml	11 mm	Microtube	18
30130884	Adapter 1 × 0.2/0.4 ml D6 mm, 6 pk	0.2/0.4 ml	6 mm	Microtube	18
30130885	Adapter 1 × 0.5 ml D8 mm, 6 pk	0.5 ml	8 mm	Microtube	18

*Buckets included

**Racks included

Shortcut list:

Vac – Vacutainer® Sar – Sarstedt FA – Conical bottom / Falcon® FB – Flat bottom RB – Round bottom

FRONTIER™ 5706P Multi Centrifuges

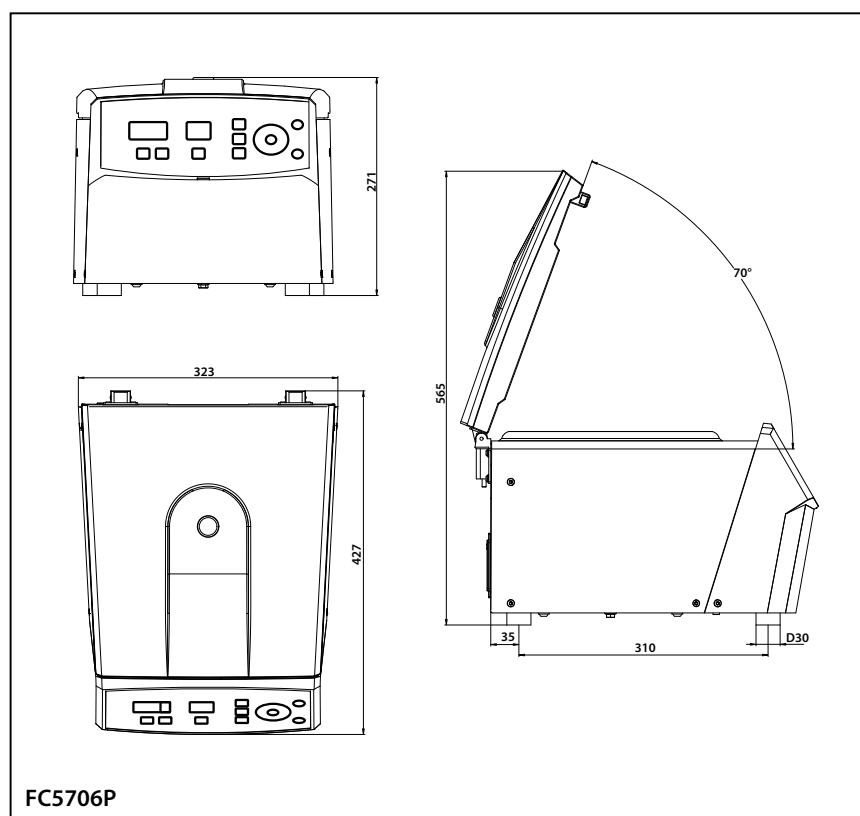
Other Standard Features and Equipment

Microprocessor control, Imbalance switch-off, Audible signal at the end of each run with melody options, Emergency release, 99 memory sets, Ten acceleration and ten deceleration rates, Pre-selection of running time from 10 sec to 99 hr 59 min or continuous, Quick spin for short runs.

Compliance

See Declaration of Conformity available CE Declarations | OHAUS

Outline Dimensions



OHAUS Asia/Pacific
Headquarters

e-mail: APmarketing@ohaus.com
Tel: +86 21 64855408

With offices throughout
Europe, Asia, and
Latin America

ISO 9001:2015

Registered Quality
Management System



80777082_A 20250509 © Copyright OHAUS Corporation



Click or scan
for the web